

**Манометър Gesa за въздух радиален сух ф 63 мм, 0-315 bar,
1/4", M0201**



Suitable for all gaseous and liquid media that will not obstruct the pressure system or attack copper alloy parts. Useful for system that are not submitted to strong vibrations. Specially designed for pneumatics and hydraulics.



How to order:
M 0201 + chosen options.

| 2. CONSTRUCTION / DESIGN | |
|-------------------------------|--|
| 2.1. Design | EN 837-1 |
| 2.2. Mounting | <input checked="" type="checkbox"/> Direct: Free standing on the radial/rear screwed connection |
| 2.3. Degree of Protection | IP 44 per EN 60529 / IEC 529 |
| 3. MATERIALS AND DIMENSIONS | |
| 3.1. Case | |
| 3.1.1. Material | Carbon Steel coloured in black |
| 3.1.2. Nominal size | <input checked="" type="checkbox"/> 63, 75 and 100mm |
| 3.2. Bezel ring | |
| 3.2.1. Material | Carbon Steel coloured in black |
| 3.2.2. Seal | pressure sealed |
| 3.3. Internal elements | |
| 3.3.1. Materials | Elastic element and movements in copper alloy. Tin soft welding and copper alloy soldering for pressure under 40 bar. For pressures over 40bar in copper and silver alloy. |
| 3.3.2. Structure | Elastic element: With "C" type for pressures up to 40 bar and in spring type for pressures over 40 bar. |
| 3.4. Screwed connection | |
| 3.4.1. Material | Brass |
| 3.4.2. Thread | 1/4" BSP for Ø63mm, 3/8" BSP for Ø75 and 1/2" BSP for Ø100mm. In accordance with UNE-EN 10226-1 |
| 3.5. Window | Acrylic. |
| 3.6. Dial | White lacquered aluminium. |
| 3.7. Pointer | Aluminium anodized in black. |
| 4. PRESSURE | |
| 4.1. Range | <input checked="" type="checkbox"/> Pressure gauges: 0+0,6 0+1 0+1,6 0+2,5 0+4 0+6 0+10 0+12 0+16 0+25 0+40 0+60 0+100 0+160 0+250 0+315 0+400 0+600 0+1000 Compound gauges: -1+0,5 -1+1,5 -1+3 -1+5 -1+9 -1+15 -1+24 Vacuum gauge: -1+0 |
| 4.2. Scale | Double scale, black coloured for Bar and red coloured for Psi |
| 4.3. Subdivision | In accordance with EN 837-1 |
| 4.4. Accuracy/ Class | Class 2.5 for Ø63 Class 1.6 for Ø75 and Ø100 |
| 4.5. Use conditions:: | |
| 4.5.1. Pressure conditions: | Steady: 3/4 of full scale value. Fluctuating 2/3 of full scale value Maximum pressure: (for short time) Full scale value. |
| 4.5.2. Operating temperature: | Ambient: -40+80°C Medium: 100°C maximum |
| 5. OPTIONS | |
| 5.1. Antivibration system | No |
| 5.2. Logotypes | Optional: Customer's logo printed |

1/8" BSPT 1/4" BSPT 3/8" BSPT 1/2" BSPT

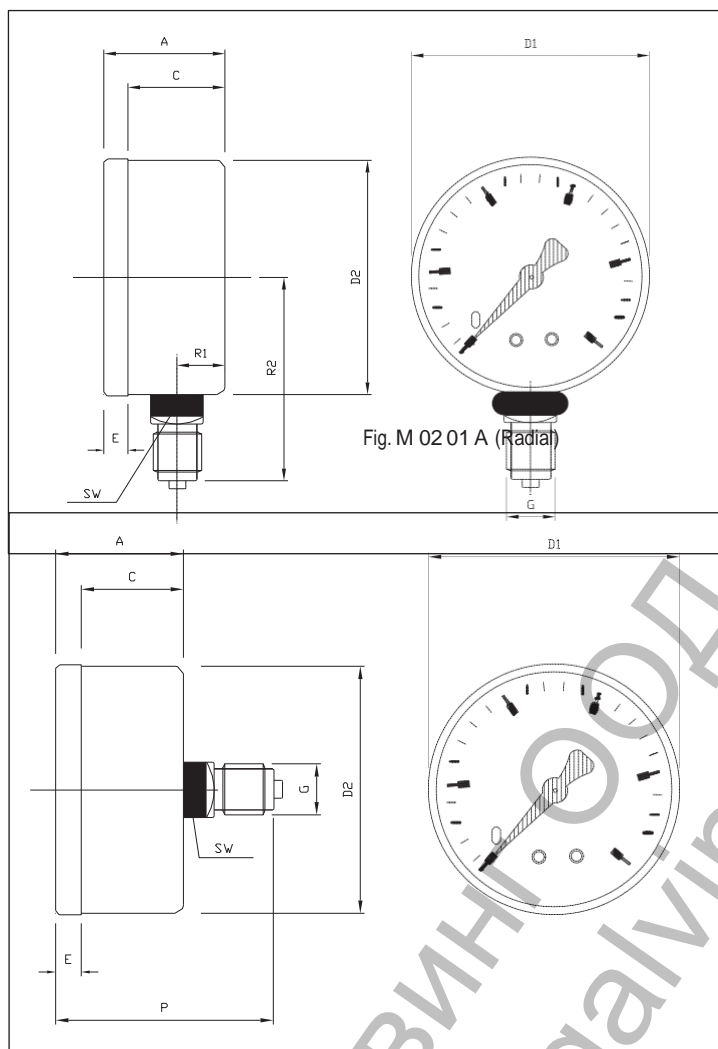


Fig. M 02 01 B (Back centered)

| | | DIMENSIONS (mm) (tolerances ± 1 mm) | | | | | | | | | | WEIGHT (g) |
|------|------------|---|----|----|-----|----|----|---------|----|----|----|------------|
| DN | Connection | R1 | A | C | D1 | E | D2 | G | R2 | SW | P | |
| Ø63 | Radial | 10 | 28 | 17 | 63 | 10 | 62 | 1/4 BSP | 51 | 14 | | 110 |
| Ø63 | Rear | | 28 | 17 | 63 | 10 | 62 | 1/4 BSP | | 14 | 46 | 122 |
| Ø75 | Radial | 10 | 30 | 19 | 75 | 11 | 74 | 3/8 BSP | 60 | 17 | | 165 |
| Ø75 | Rear | | 30 | 19 | 75 | 11 | 74 | 3/8 BSP | | 17 | 55 | 170 |
| Ø100 | Radial | 16 | 45 | 23 | 100 | 22 | 98 | 1/2 BSP | 83 | 17 | | 383 |
| Ø100 | Rear | | 45 | 23 | 100 | 22 | 98 | 1/2 BSP | | 17 | 75 | 405 |

Продукт: [Манометър Gesa за въздух радиален сух ф 63 мм, 0-315 bar, 1/4", M0201](#)

Категория: [Механични измервателни инструменти](#)

Бранд: [Gesa](#)

Категория бранд: [Манометър Gesa](#)